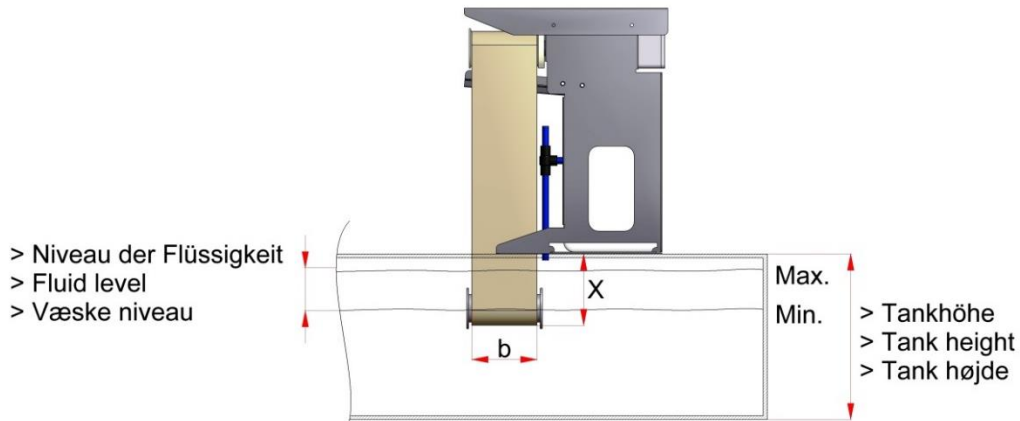


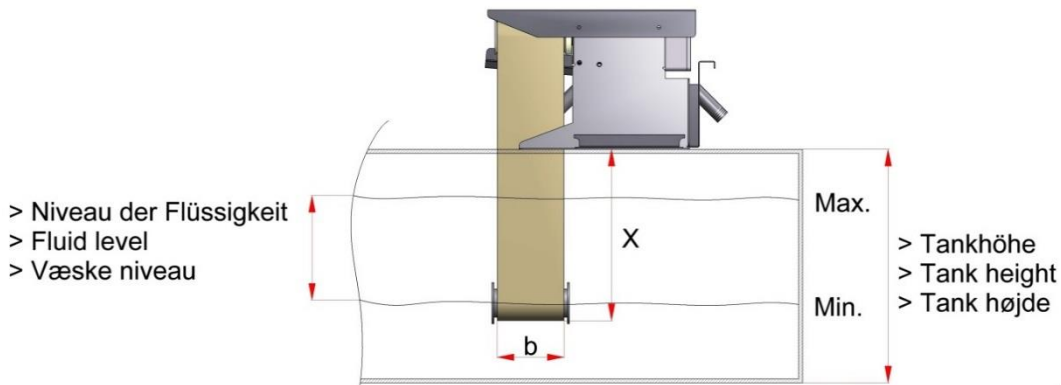
Type N – Choice of belt length for an oil skimmer



Item number of the belt	Item description for b = 50 mm	Item number of the belt	Item description for b = 100 mm	X = length below the oil skimmer
A01-050-1000	50 x 1000	A01-100-1000	100 x 1000	115 mm
A01-050-1200	50 x 1200	A01-100-1200	100 x 1200	215 mm
A01-050-1500	50 x 1500	A01-100-1500	100 x 1500	365 mm
A01-050-2000	50 x 2000	A01-100-2000	100 x 2000	615 mm

(Ex: 50 x 1000: belt width 50 mm, belt length (perimeter) 1000 mm and the belt reaches 115 mm under the oil skimmer)

Type NK and type NKS – Choice of belt length for an oil skimmer



Item number of the belt	Item description for b = 50 mm	Item number of the belt	Item description for b = 100 mm	X = length below the oil skimmer
A01-050-800	50 x 800	A01-100-800	100 x 800	210 mm
A01-050-1000	50 x 1000	A01-100-1000	100 x 1000	310 mm
A01-050-1200	50 x 1200	A01-100-1200	100 x 1200	410 mm
A01-050-1500	50 x 1500	A01-100-1500	100 x 1500	560 mm
A01-050-2000	50 x 2000	A01-100-2000	100 x 2000	810 mm

(Ex: 100 x 800: belt width 100 mm, belt length (perimeter) 800 mm and the belt reaches 210 mm under the oil skimmer)

Other belt lengths on request.

Please enter the item number of the belt when ordering the belt.

